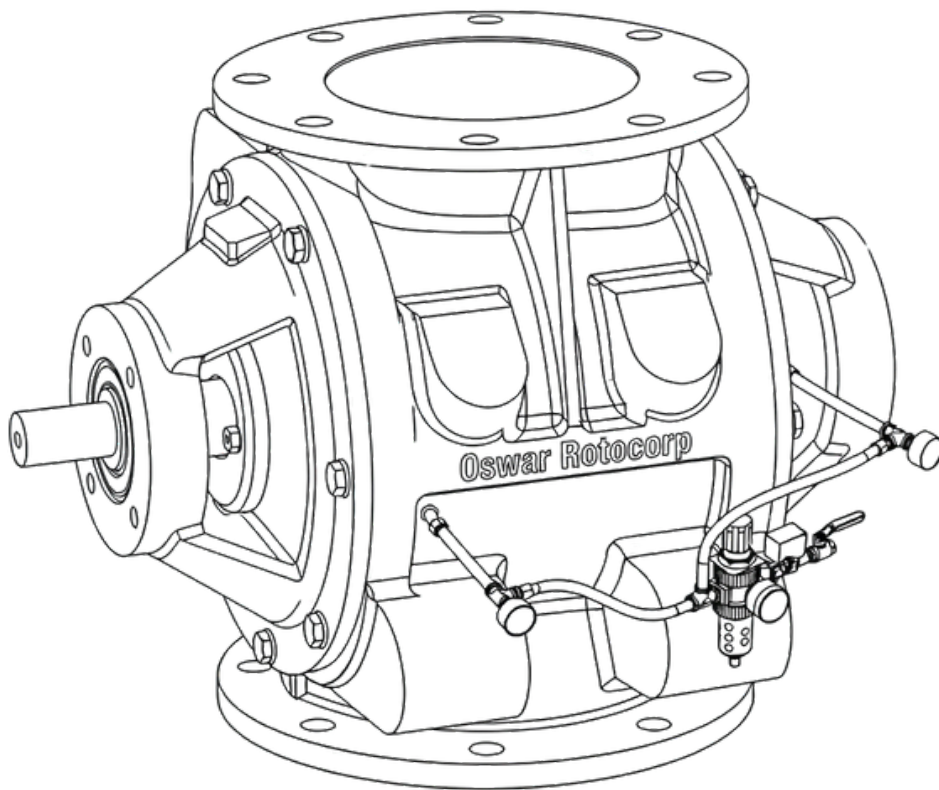


OSWAR ROTOCORP

ENGINEERING RELIABILITY.
DELIVERING PRECISION.



OSWAR
rotocorp

ENGINEERED WITH GLOBAL DISCIPLINE

Oswar Rotocorp is a globally recognized manufacturer of precision Rotary Airlock Valves and Rotary Feeding Systems, engineered to serve the most demanding industrial environments. With a strong foundation built on Japanese industrial discipline and advanced Indian engineering excellence, the company delivers solutions that define reliability, durability, and operational efficiency.

Operating under the strategic alignment of OSWAR Japan, Oswar Rotocorp represents a powerful collaboration between Rin Zaibatsu (Japan) and the Oswal Group (India). This partnership combines structured engineering standards with world-class manufacturing capabilities, ensuring consistent performance across global markets

KEY FEATURES

GLOBAL
ENGINEERING
STANDARDS

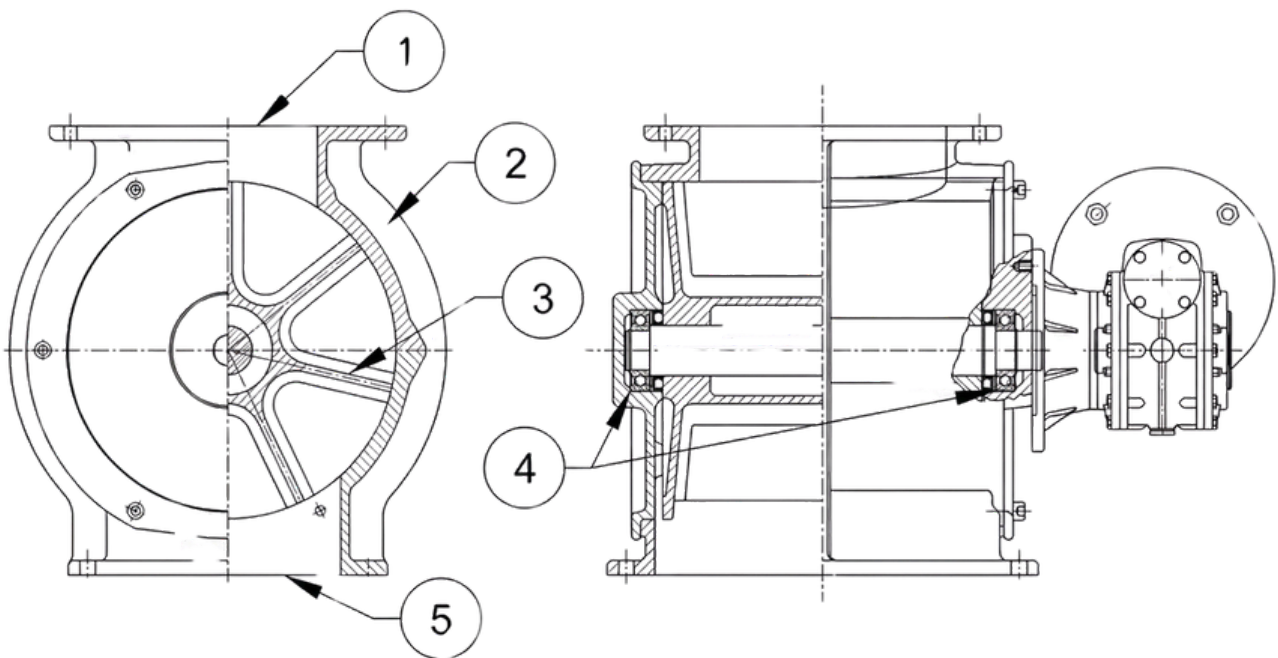
HEAVY-DUTY
INDUSTRIAL
MANUFACTURING

PRECISION-
DRIVEN
PERFORMANCE

LONG-TERM
SERVICE SUPPORT

ENGINEERING & MANUFACTURING EXCELLENCE

At Oswar Rotocorp, engineering is driven by precision, consistency, and performance integrity. Every system is manufactured using advanced CNC machining, strict dimensional control, and robust quality inspection protocols to ensure long operational life and minimal downtime.

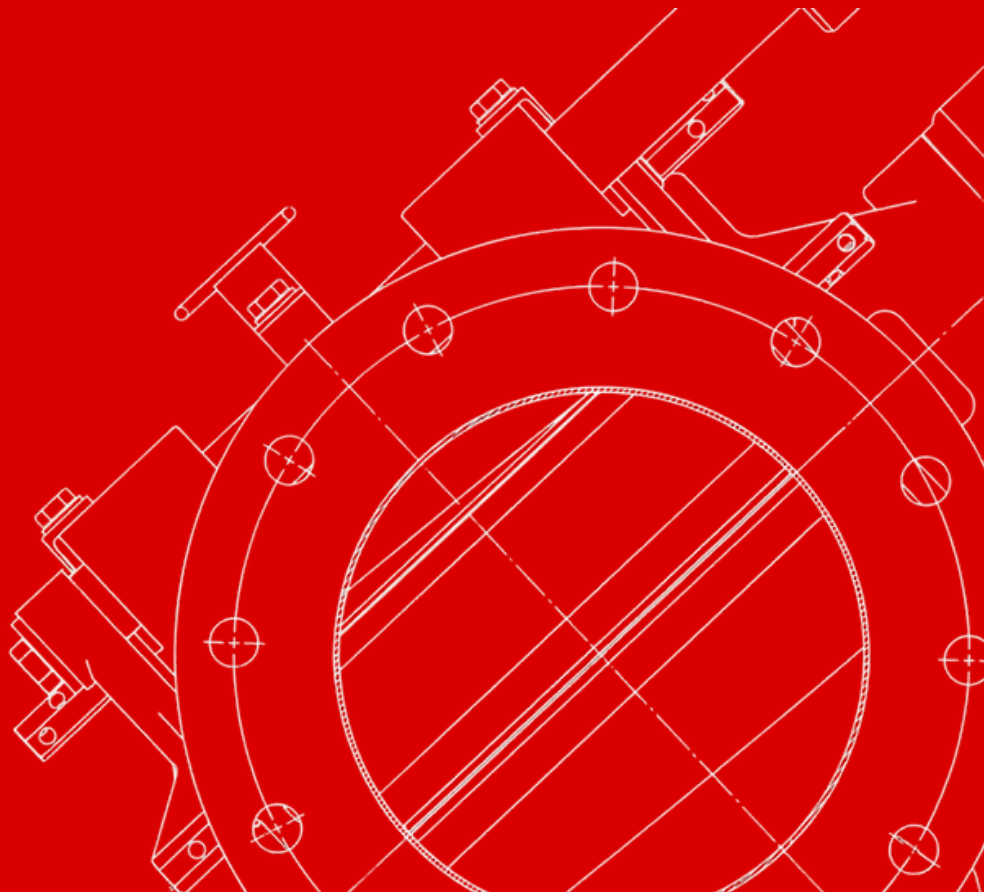


MANUFACTURING & QUALITY

- Precision CNC machined housings
- Controlled rotor clearances for volumetric accuracy
- Advanced wear-resistant coatings
- Heavy-duty outboard bearing protection
- Optimized sealing geometry for minimal air leakage

GLOBAL INDUSTRIAL PRESENCE

- **Cement Manufacturing**
- **Power Generation & Boilers**
- **Fertilizer & Chemical Processing**
- **Steel & Lime Production**
- **Mining & Mineral Processing**
- **Sugar, Ethanol & Bio-Energy**
- **Ceramics & Glass Manufacturing**
- **Food Processing & Pharmaceuticals**



OSWAR

rotocorp

Corporate Office

Jaipur, Rajasthan India
Nagpur, Maharashtra India

Sales Inquiries

info@oswarrotocorp.com

Helpline

+44 7917 128505 | +91 77422 36474

Copyright © 2026 OSWAR ROTOCORP. All Rights Reserved. OSWAR® is a registered trademark of **OSWAR ROTOCORP**. This brochure makes no offers, representations or warranties (express or implied), and information and data contained in this brochure are for general reference only and may change at any time.